



32322

- Popular item

Tapered roller bearings, single row

Bearing data

[Tolerances,](#)

Normal and CL7C, CLN, Normal and CL, deviating width

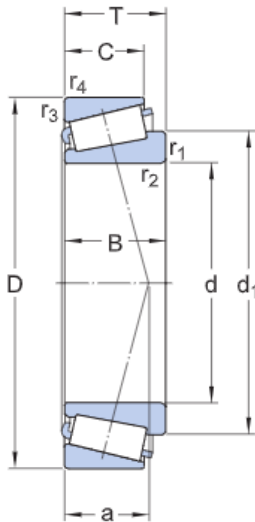
Bearing interfaces

[Seat tolerances for standard conditions,](#)
[Tolerances and resultant fit](#)

Technical specification

Dimension series

2GD

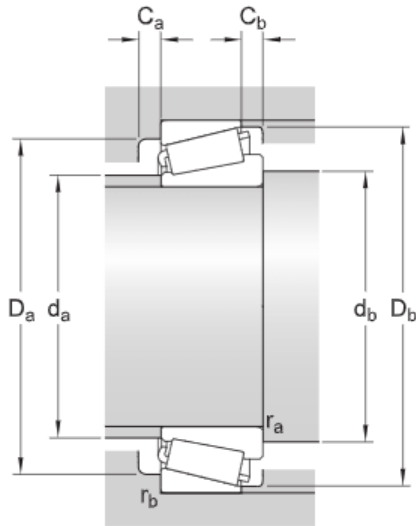


DIMENSIONS

d	110 mm	Bore diameter
D	240 mm	Outside diameter
T	84.5 mm	Total bearing width
d1	≈169.18 mm	Inner ring shoulder diameter
B	80 mm	Width inner ring
C	65 mm	Width outer ring
r1,2	min.4 mm	Corner radius inner ring
r3,4	min.3 mm	Corner radius outer ring
a	55.355 mm	Distance pressure point

ABUTMENT DIMENSIONS

da	max.138 mm	Abutment diameter shaft
	min.126.5	Abutment



db	mm	diameter shaft
Da	min.198 mm	Abutment diameter housing
Da	max.227 mm	Abutment diameter housing
Db	min.222 mm	Abutment diameter housing
Ca	min.9 mm	Abutment housing - axial space at the large side face/ both sides of the outer ring
Cb	min.19.5 mm	Abutment housing - axial space at the small side face/ both sides of the outer ring
ra	max.4 mm	Fillet radius
rb	max.3 mm	Fillet radius

CALCULATION DATA

Basic dynamic load rating	C	675 kN
Basic static load rating	C ₀	830 kN
Fatigue load limit	P _u	86.5 kN
Reference speed		1 900 r/min
Limiting speed		2 800 r/min
Calculation factor	e	0.35
Calculation factor	Y	1.7
Calculation factor	Y ₀	0.9

MASS

Mass bearing	16.6 kg
--------------	---------